

## V1679 &amp; V6791



## Data Link to Fibre.



## V1679 FEATURES

- Bi-directional data to fibre conversion
- Up to 16 GPI channels
- Up to 2 RS232/RS422 channels
- Single module that fits into standard V1600 series racks
- Available in a choice of wavelengths to suite CWDM applications

## V6791 FEATURES

- Bi-directional Ethernet to fibre interface
- 10/100 Mb Ethernet via RJ-45
- Full status monitoring via Vistek control systems
- Available in a choice of wavelengths to suit CWDM applications

Many remote sites will be linked to central operations via fibre, and the V1679 solves the problem of control of those remotes. The module can be configured in a variety of ways to support up to 16 GPI channels, with up to 2 channels of serial data to either RS-232 or RS-422 specifications.

The serial links are protocol independent.

The V6791 is designed to extend conventional Ethernet networks over longer distances than is possible with copper cabling. It is particularly useful where control systems use Ethernet for networking, but where "critical path" considerations preclude the use of conventional IT connection via fibre backbones and the like. It also allows for easy interconnection of control systems as part of an overall signal interconnect strategy.

It uses a single slot in any V1600 series rack frame, and when used with Vistek's control systems can report the status of the connection. If the Vistek Control System has the SNMP plug-in then SNMP control and monitoring is supported. Each module incorporates a fibre transmitter and a fibre receiver, and the transmitters can be specified for wavelength.

# Technical Specification

## V1679 & V6791 Technical Specification

### Optical (Transmitter)

Connector SC/PC with shutter  
 Wavelength 1310nm or 1550nm (other to order)  
 Fibre type Single mode  
 Output power User selectable  
 Medium: -7dBm (typ)  
 High: -3dBm (typ)

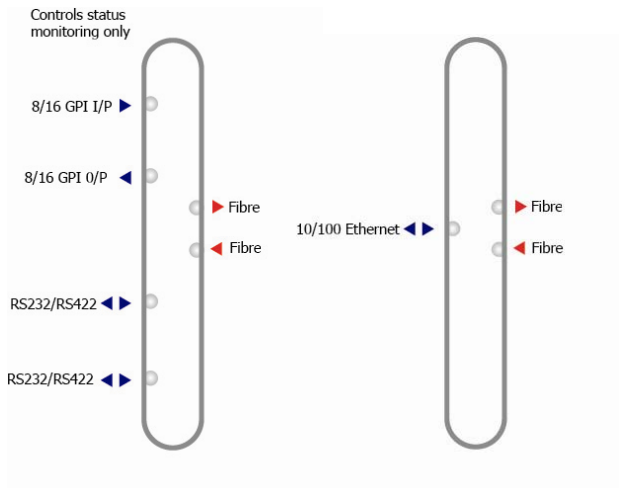
### Receiver

Connector SC/PC with shutter  
 Input wavelengths 1100nm—1650nm  
 Input sensitivity -28dBm (typ)  
 Fibre type Single mode  
 Transmission length Up to 70km  
 GPI and serial ports: 44-pin high density D-type connector  
 GPI Configuration depends on order code  
 16 GPI outputs 'Earth-free', dry contact relay outputs.  
 Each output can be configured as N.C. (normally closed) or N.O. (normally open)  
 Contact rating 1A @ 24V dc

OR  
 16 GPI inputs

OR

Opto-isolated inputs with Schmitt-Trigger buffer. User selectable on-board bias voltage (no biasing, +5V or +12V). User selectable active 'High' or active 'Low'. Reverse polarity protected  
 Combination of 8 GPI outputs + 8 GPI inputs



## V6791 Technical Specification

### Optical (Transmitter)

Connector SC / PC with shutter  
 Wavelength 1310nm or 1550nm (other to order)  
 Fibre type Single mode  
 Receiver SC / PC with shutter  
 Connector 1100nm - 1650nm  
 Input wavelengths Single mode  
 Fibre type Data rate automatic selection of 10Mb or 100Mb  
 Ethernet RJ-45

### Ordering Information

V1679	GPI / RS232 / RS422 to/from fibre
V6791	Ethernet to fibre

All Pro-Bel's quoted prices for interface modules include the supply of one suitable rear module. Please specify type required when placing order.

V16FR3P	3RU (V1679)
V16FR3Q	3RU (V6791)

Note: Special versions of rear module are available on request.

